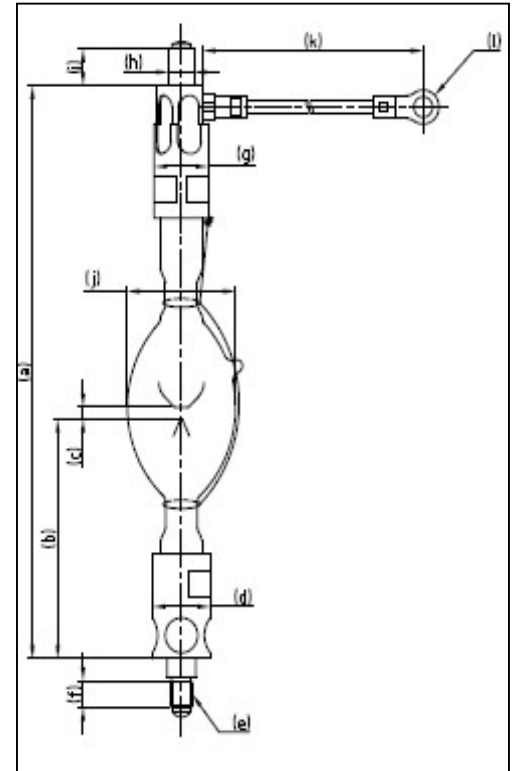




# DXL-30BAF/LU

## Technical Data

Input Power	W	-	3000
Voltage	V	-	29.4
Current	A	-	102
Operating Range	W/A	-	64-110(A)
Lamp Length	mm	a	294
LCL	mm	b	123
Cold Arc Gap	mm	c	5
Cathode	Base Diameter	mm (Φ)	d
	Pin Diameter	-	e
	Pin Length	mm	f
Anode	Base Diameter	mm (Φ)	g
	Pin Diameter	Φ	h
	Pin Length	mm	i
Bulb diameter	mm (Φ)	j	60
Cable length	mm	k	135
Crimping terminal	-	l	22-10



## Warranty Hours

DXL-30BAF/LU	2200
--------------	------

## Cross Reference

Lamp Type	Projector Model
DXL-30BAF/LU	DP2K-15C
	DP2K-19B
	DP4K-19B
	DP2K-20C
	DP2K-23B
	DP4K-23B
	DP2K-32B
DP4K-32B	