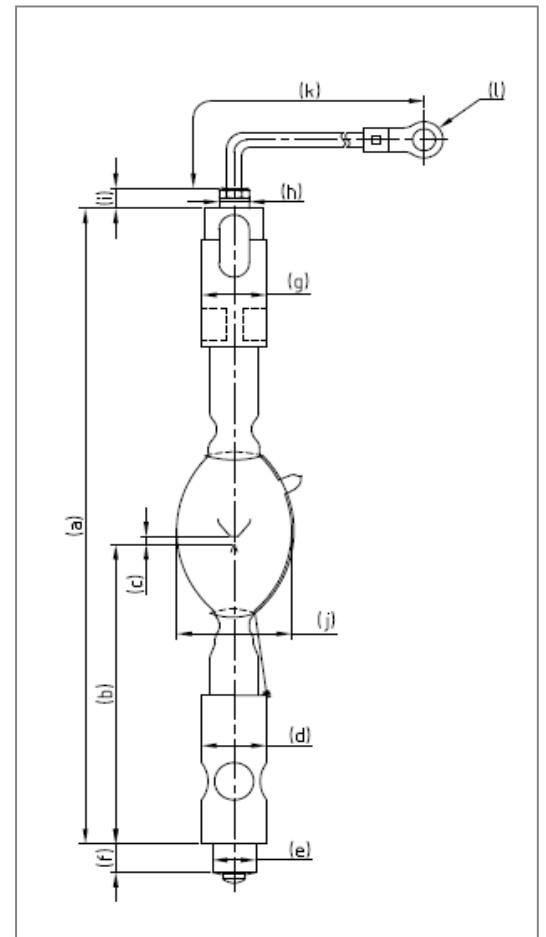




DXL-12SN2

Technical Data

Input Power	W	-	1200
Voltage	V	-	20
Current	A	-	60
Lamp Length	mm	a	423
LCL	mm	b	171.5
Cold Arc Gap	mm	c	4.5
Cathode	Base Diameter	mm (Φ)	d
	Pin Diameter	mm (Φ)	e
	Pin Length	mm	f
Anode	Base Diameter	mm (Φ)	g
	Pin Diameter	mm (Φ)	h
	Pin Length	mm	i
Bulb diameter	mm (Φ)	j	45
Cable length	mm	k	(220)
Crimping terminal	mm	l	22-10



Warranty Hours

DXL-12SN2	3000
-----------	------

Cross Reference

Lamp Type	Projector Model
DXL-12SN2	NC3200S(*) NC3240S(*)

*Combination of 4kw lamp power supply unit