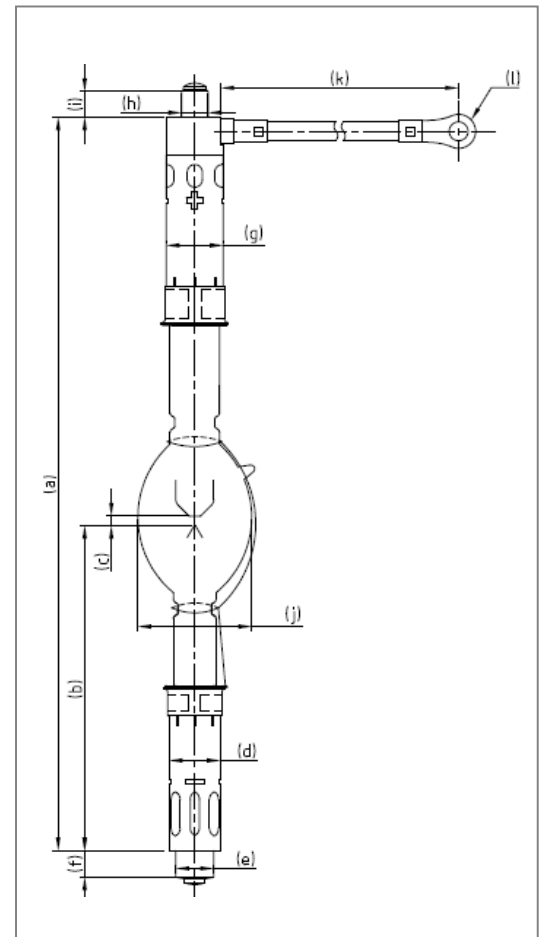


Xenon Lamps for NEC Digital Cinema Projector

DXL-31SN2/L

Technical Data

| | | | | |
|-------------------|---------------|--------|-------|----|
| Input Power | W | - | 3000 | |
| Voltage | V | - | 30.5 | |
| Current | A | - | 98 | |
| Lamp Length | mm | a | 306 | |
| LCL | mm | b | 144 | |
| Cold Arc Gap | mm | c | 5.4 | |
| Cathode | Base Diameter | mm (Φ) | d | 27 |
| | Pin Diameter | mm (Φ) | e | 20 |
| | Pin Length | mm | f | 18 |
| Anode | Base Diameter | mm (Φ) | g | 30 |
| | Pin Diameter | mm (Φ) | h | 14 |
| | Pin Length | mm | i | 18 |
| Bulb diameter | mm (Φ) | j | 60 | |
| Cable length | mm | k | 220 | |
| Crimping terminal | mm | l | 22-10 | |



Warranty Hours

| | |
|-------------|------|
| DXL-31SN2/L | 1800 |
|-------------|------|

Cross Reference

| Lamp Type | Projector Model |
|-------------|-------------------------------|
| DXL-31SN2/L | NC2500S NC3200S NC3240S |