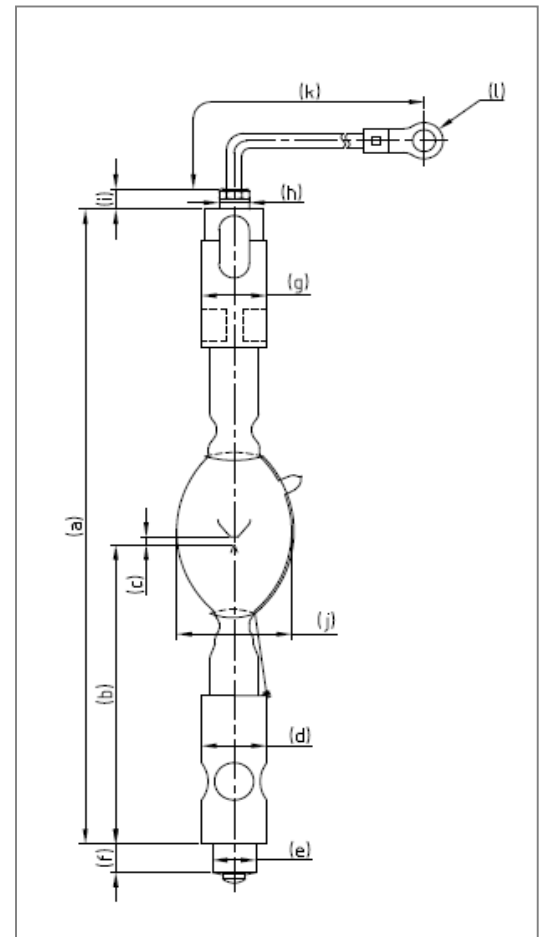


Xenon Lamps for NEC Digital Cinema Projector

DXL-40SN/L

Technical Data

Input Power	W	-	4000	
Voltage	V	-	33	
Current	A	-	120	
Lamp Length	mm	a	306	
LCL	mm	b	144	
Cold Arc Gap	mm	c	5.3	
Cathode	Base Diameter	mm (Φ)	d	32
	Pin Diameter	mm (Φ)	e	20
	Pin Length	mm	f	15
Anode	Base Diameter	mm (Φ)	g	30
	Pin Diameter	mm (Φ)	h	14
	Pin Length	mm	i	10
Bulb diameter	mm (Φ)	j	60	
Cable length	mm	k	160	
Crimping terminal	mm	l	22-10	



Warranty Hours

DXL-40SN/L	850
------------	-----

Cross Reference

Lamp Type	Projector Model
DXL-40SN/L	NC1600C NC2000C