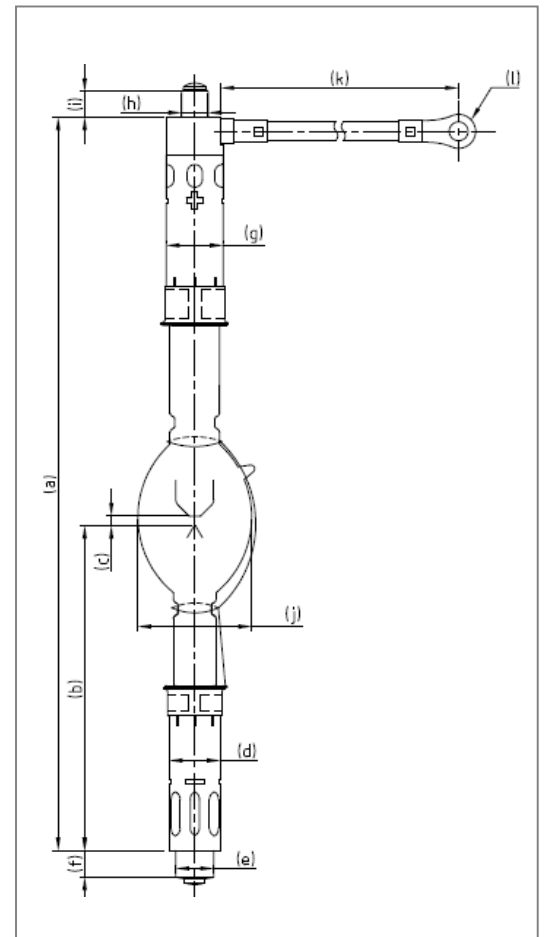


Xenon Lamps for NEC Digital Cinema Projector

# DXL-41SN2

## Technical Data

Input Power	W	-	4000
Voltage	V	-	32
Current	A	-	125
Lamp Length	mm	a	387
LCL	mm	b	171.5
Cold Arc Gap	mm	c	6
Cathode	Base Diameter	mm (Φ)	d
	Pin Diameter	mm (Φ)	e
	Pin Length	mm	f
Anode	Base Diameter	mm (Φ)	g
	Pin Diameter	mm (Φ)	h
	Pin Length	mm	i
Bulb diameter	mm (Φ)	j	60
Cable length	mm	k	220
Crimping terminal	mm	l	22-10



## Warranty Hours

DXL-41SN2

1000

## Cross Reference

Lamp Type

Projector Model

DXL-41SN2

NC2500S  
NC3200S  
NC3240S