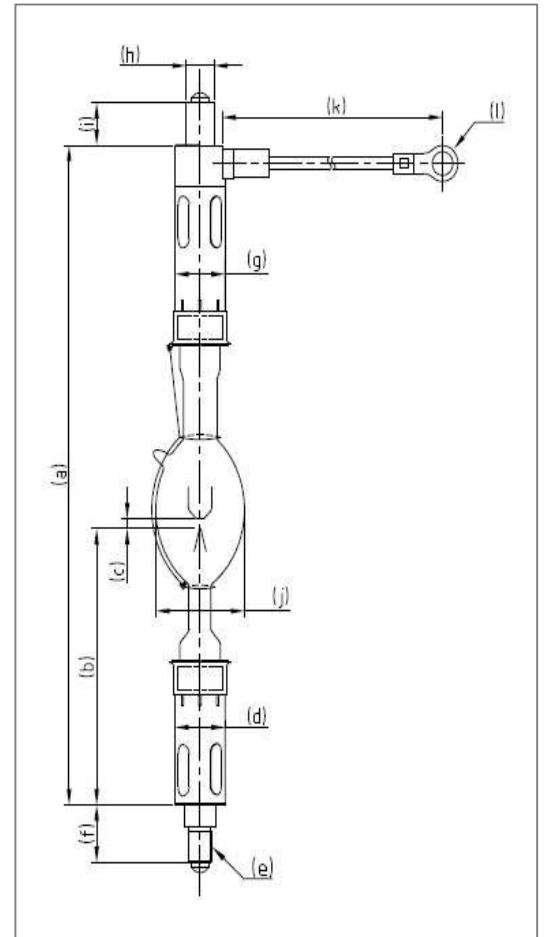




DXL-20SRX/L

Technical Data

Input Power	W	-	2000
Voltage	V	-	25
Current	A	-	80
Lamp Length	mm	a	295
LCL	mm	b	128
Cold Arc Gap	mm	c	4.5
Cathode	Base Diameter	mm (Φ)	d
	Pin Diameter	mm (Φ)	e
	Pin Length	mm	f
Anode	Base Diameter	mm (Φ)	g
	Pin Diameter	mm (Φ)	h
	Pin Length	mm	i
Bulb diameter	mm (Φ)	j	55
Cable length	mm	k	215
Crimping terminal	mm	l	14-10



Warranty Hours

DXL-20SRX/L	3500
-------------	------

Cross Reference

Lamp Type	Projector Model
DXL-20SRX/L	SRX-R220 SRX-R320