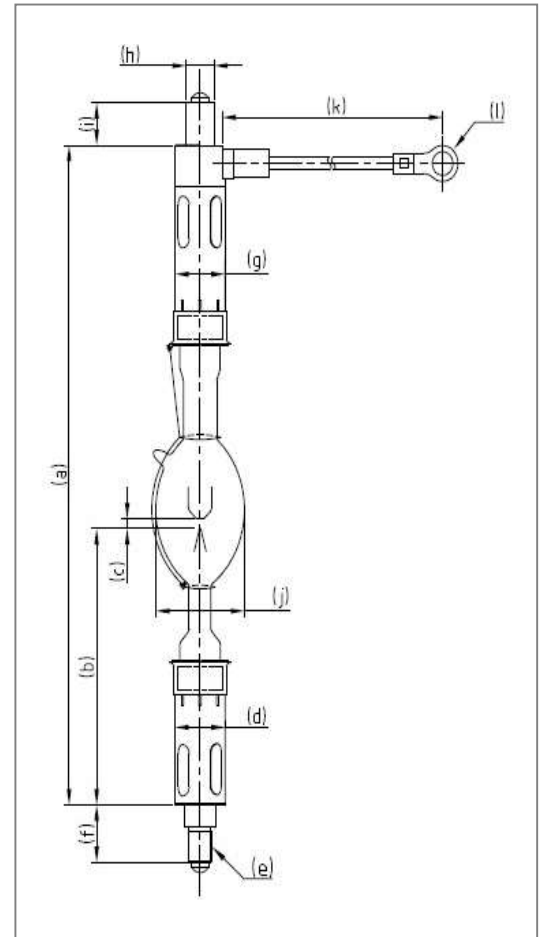




# DXL-30SRX/L

## Technical Data

Input Power	W	-	3000
Voltage	V	-	31
Current	A	-	97
Lamp Length	mm	a	295
LCL	mm	b	128
Cold Arc Gap	mm	c	5
Cathode	Base Diameter	mm (Φ)	d
	Pin Diameter	mm (Φ)	e
	Pin Length	mm	f
Anode	Base Diameter	mm (Φ)	g
	Pin Diameter	mm (Φ)	h
	Pin Length	mm	i
Bulb diameter	mm (Φ)	j	53
Cable length	mm	k	215
Crimping terminal	mm	l	22-10



## Warranty Hours

DXL-30SRX/L	1800
-------------	------

## Cross Reference

Lamp Type	Projector Model
-----------	-----------------

DXL-30SRX/L	SRX-R220 SRX-R320
-------------	----------------------