

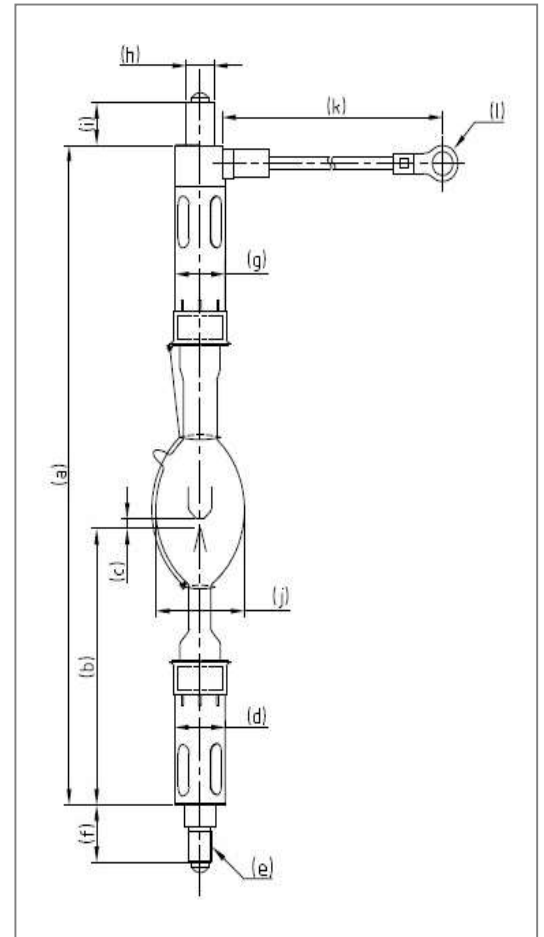


# DXL-40SRX/L

## Technical Data

Input Power	W	-	4000/4200
Voltage	V	-	32
Current	A	-	-
Lamp Length	mm	a	295
LCL	mm	b	128
Cold Arc Gap	mm	c	5
Cathode	Base Diameter	mm (Φ)	d
	Pin Diameter	mm (Φ)	e
	Pin Length	mm	f
Anode	Base Diameter	mm (Φ)	g
	Pin Diameter	mm (Φ)	h
	Pin Length	mm	i
Bulb diameter	mm (Φ)	j	60
Cable length	mm	k	215
Crimping terminal	mm	l	22-10

(※)4000W: SRX-320 / 4200W: SRX-R220



## Warranty Hours

DXL-40SRX/L (SRX-R320 / 4000W)	375 (750*)	* 376-750:Prorated
DXL-40SRX/L (SRX-R220 / 4200W)	325 (650*)	* 326-650:Prorated

## Cross Reference

Lamp Type	Projector Model
DXL-40SRX/L	SRX-R220 SRX-R320