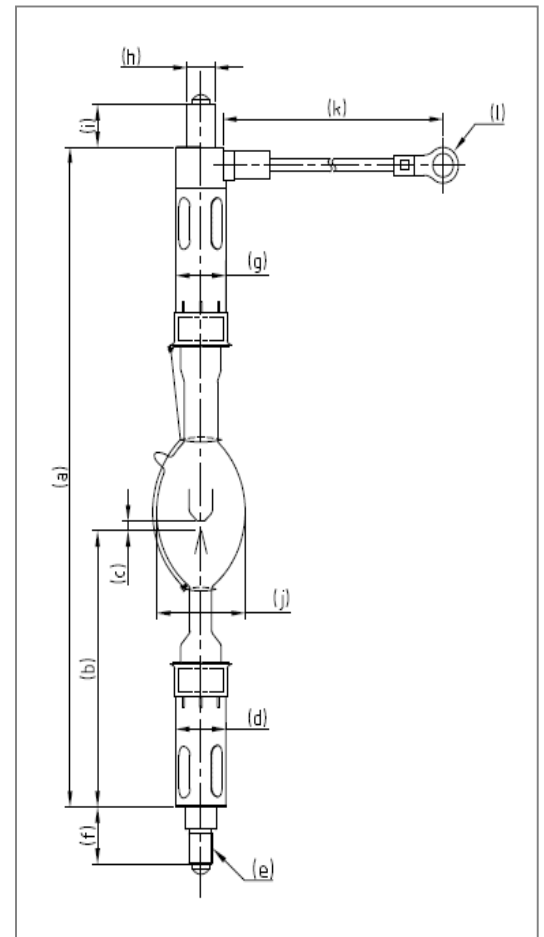


Xenon Lamps for SONY Digital Cinema Projector

DXL-20SRX

Technical Data

Input Power	W	-	2000	
Voltage	V	-	25.5	
Current	A	-	-	
Lamp Length	mm	a	295	
LCL	mm	b	128	
Cold Arc Gap	mm	c	4	
Cathode	Base Diameter	mm (Φ)	d	32
	Pin Diameter	mm (Φ)	e	20
	Pin Length	mm	f	14
Anode	Base Diameter	mm (Φ)	g	30
	Pin Diameter	mm (Φ)	h	14
	Pin Length	mm	i	17
Bulb diameter	mm (Φ)	j	53	
Cable length	mm	k	215	
Crimping terminal	mm	l	14-10	



Warranty Hours

DXL-20SRX 2400 (3000*)

*The mentioned warranty hours in the brackets is for " ignition & burst ".

Cross Reference

Lamp Type	Projector Model
DXL-20SRX	SRX-R220 SRX-R320