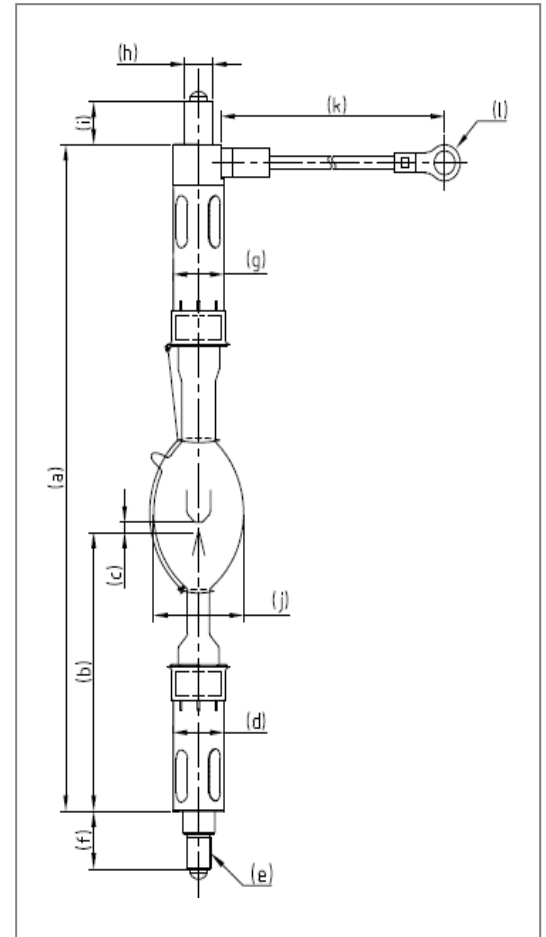


Xenon Lamps for BARCO Digital Cinema Projector

DXL-20BAF

Technical Data

| | | | |
|-------------------|---------------|--------|----------|
| Input Power | W | - | 2000 |
| Voltage | V | - | 25 |
| Current | A | - | 80 |
| Operating Range | W/A | - | 60-85(A) |
| Lamp Length | mm | a | 294 |
| LCL | mm | b | 123 |
| Cold Arc Gap | mm | c | 4.5 |
| Cathode | Base Diameter | mm (Φ) | d |
| | Pin Diameter | mm (Φ) | e |
| | Pin Length | mm | f |
| Anode | Base Diameter | mm (Φ) | g |
| | Pin Diameter | mm (Φ) | h |
| | Pin Length | mm | i |
| Bulb diameter | mm (Φ) | j | 55 |
| Cable length | mm | k | 132 |
| Crimping terminal | mm | l | 14-10 |



Warranty Hours

| | |
|-----------|--------------|
| DXL-20BAF | 2400 (3000*) |
|-----------|--------------|

*The mentioned warranty hours in the brackets is for " ignition & burst ".

Cross Reference

| Lamp Type | Projector Model |
|-----------|-----------------|
| DXL-20BAF | DP2K-10S |
| | DP2K-12C |
| | DP2K-15C |
| | DP2K-19B |
| | DP4K-19B |
| | DP2K-20C |
| | DP2K-23B |
| | DP4K-23B |