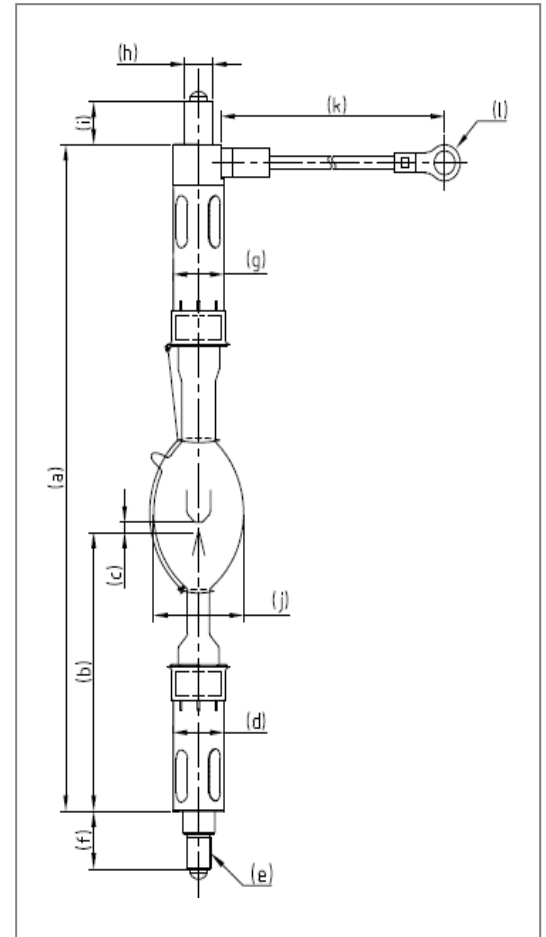


Xenon Lamps for BARCO Digital Cinema Projector

DXL-22BAF

Technical Data

| | | | | |
|-------------------|---------------|--------|--------------|------------|
| Input Power | W | - | 2200 | |
| Voltage | V | - | 26.5 | |
| Current | A | - | 83 | |
| Operating Range | W/A | - | 1540-2200(W) | |
| Lamp Length | mm | a | 294 | |
| LCL | mm | b | 123 | |
| Cold Arc Gap | mm | c | 4 | |
| | Base Diameter | mm (Φ) | d | 27 |
| Cathode | Pin Diameter | mm (Φ) | e | M12 × 1.75 |
| | Pin Length | mm | f | 14 |
| Anode | Base Diameter | mm (Φ) | g | 30 |
| | Pin Diameter | mm (Φ) | h | 14 |
| | Pin Length | mm | i | 19 |
| Bulb diameter | mm (Φ) | j | 53 | |
| Cable length | mm | k | 132 | |
| Crimping terminal | mm | l | 14-10 | |



Warranty Hours

| | |
|-----------|---------------|
| DXL-22BAF | 1500 (2000**) |
|-----------|---------------|

*The mentioned warranty hours in the brackets is for "burst".

Cross Reference

| | |
|-----------|-----------------|
| Lamp Type | Projector Model |
|-----------|-----------------|

DXL-22BAF

DP2K-10S