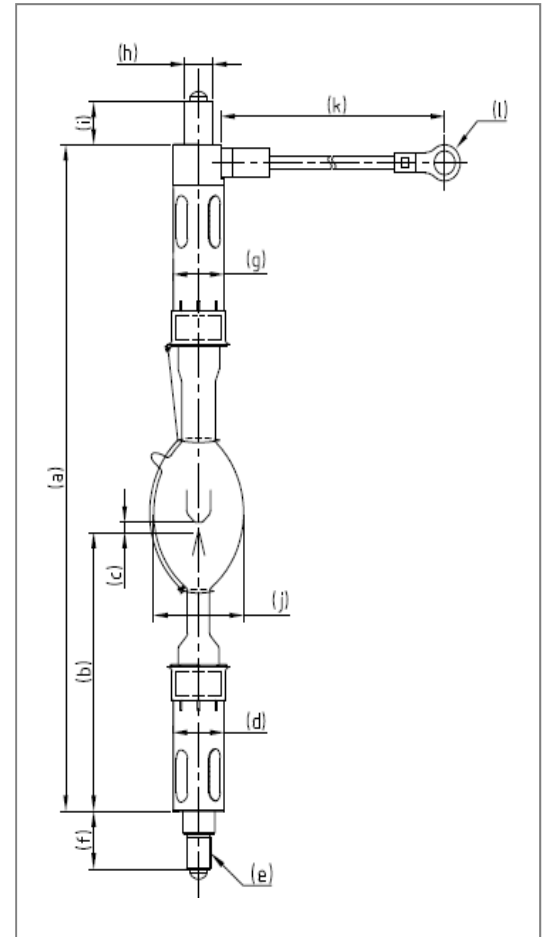


Xenon Lamps for BARCO Digital Cinema Projector

DXL-45BA

Technical Data

Input Power	W	-	4500
Voltage	V	-	28.5
Current	A	-	130
Operating Range	W/A	-	95-145(A)
Lamp Length	mm	a	375.5
LCL	mm	b	158.5
Cold Arc Gap	mm	c	6
Cathode	Base Diameter	mm (Φ)	d
	Pin Diameter	mm (Φ)	e
	Pin Length	mm	f
Anode	Base Diameter	mm (Φ)	g
	Pin Diameter	mm (Φ)	h
	Pin Length	mm	i
Bulb diameter	mm (Φ)	j	70
Cable length	mm	k	156
Crimping terminal	mm	l	22-14



Warranty Hours

DXL-45BA	1000 (1300*)
----------	--------------

*The mentioned warranty hours in the brackets is for " ignition & burst ".

Cross Reference

Lamp Type	Projector Model
DXL-45BA	DP2K-32B DP4K-32B