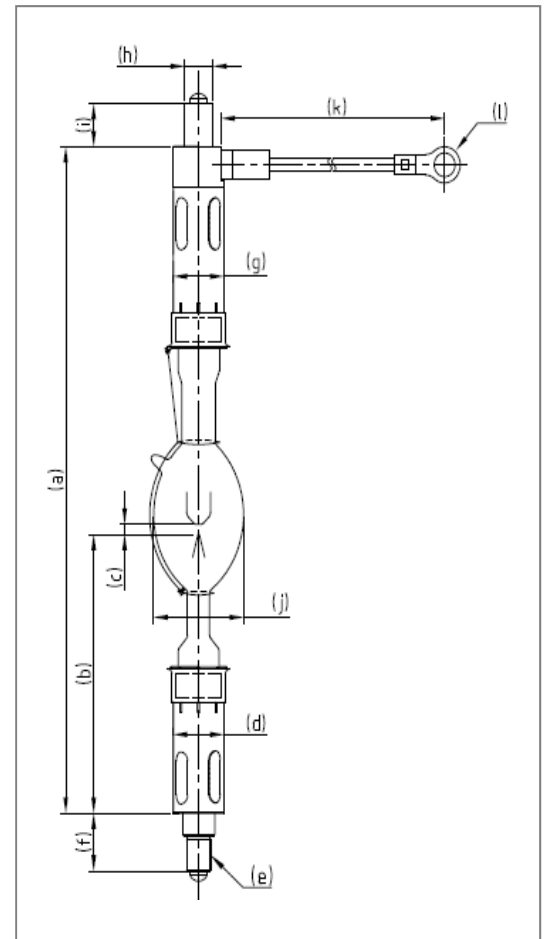


Xenon Lamps for BARCO Digital Cinema Projector

DXL-8BAF

Technical Data

Input Power	W	-	800
Voltage	V	-	18.5
Current	A	-	44
Operating Range	W/A	-	560-800(W)
Lamp Length	mm	a	294
LCL	mm	b	123
Cold Arc Gap	mm	c	5.5
Cathode	Base Diameter	mm (Φ)	d
	Pin Diameter	mm (Φ)	e
	Pin Length	mm	f
Anode	Base Diameter	mm (Φ)	g
	Pin Diameter	mm (Φ)	h
	Pin Length	mm	i
Bulb diameter	mm (Φ)	j	40
Cable length	mm	k	140
Crimping terminal	mm	l	14-10



Warranty Hours

DXL-8BAF	2400
----------	------

Cross Reference

Lamp Type	Projector Model
DXL-8BAF	DP2K-12C
	DP2K-15C
	DP2K-19B
	DP4K-19B
	DP2K-20C
	DP2K-23B
	DP4K-23B