

Datasheet: Necsel™ Multi-Color NovaLum Laser

These options are for a Necsel custom Multi-Color NovaLum package. The Multi-Color NovaLum allows customers to create customized laser modules with up to eight wavelengths in a compact platform. Various fiber core diameters, NA and connector types are available.

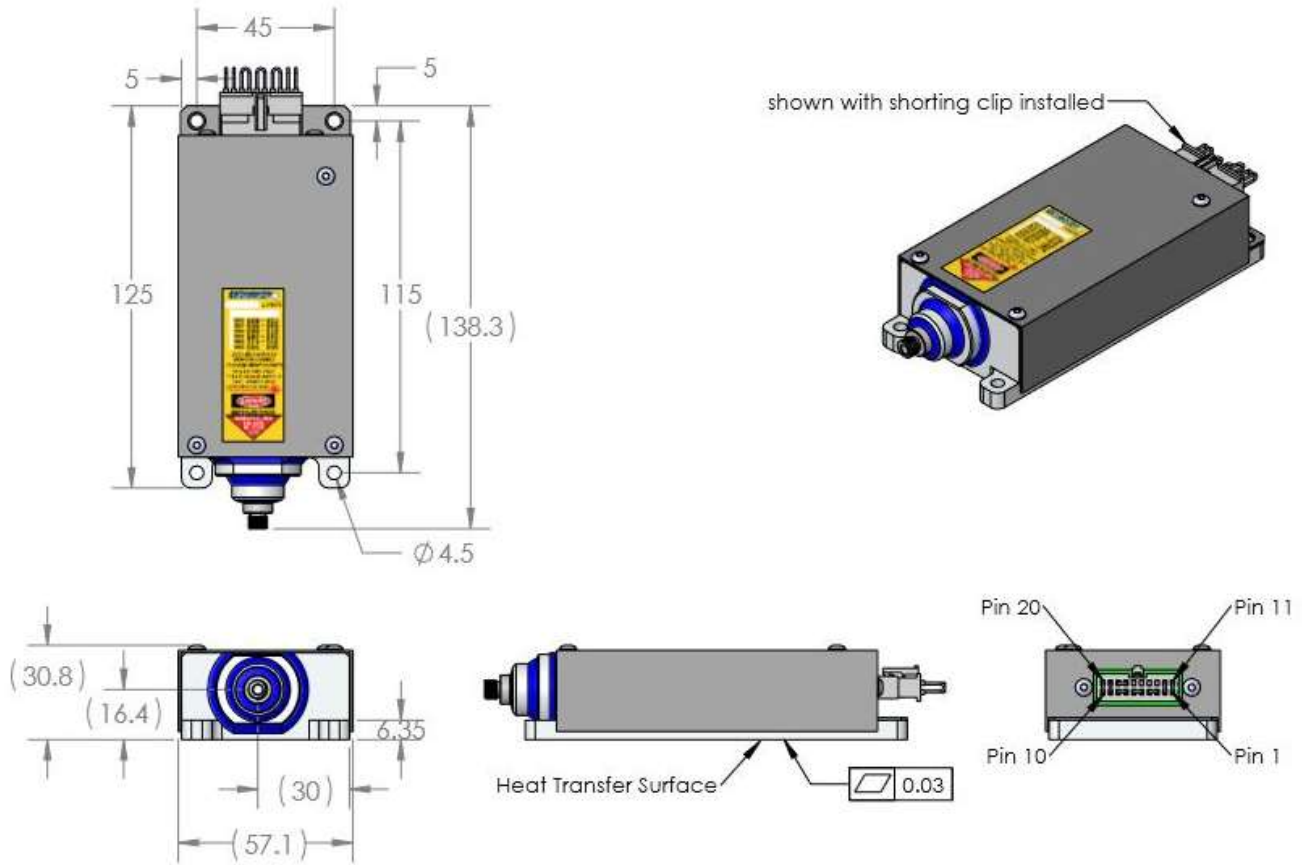


Color	Wavelengths (nm)	Approximate Max. FC Power (mW)
UV	370-380	300
Violet	400-410	700
Blue	439-449	1800
Blue	459-469	1600
Cyan	487-491	150
Green	518-535	600
Green SHG*	521-538	2000
Green SHG*	544-550	2000
Green SHG*	551-555	1700
Yellow SHG*	576-578	1000
Red	635-640	900
Red	655-665	900
Red	670-680	400
Red	685-695	400
IR	725-735	1500
IR	755-765	2000
IR	775-785	2000
IR	800-810	2000
IR	830-860	1000
IR	880-915	1500
IR	935-945	2000
IR	975-985	2000
IR	1055-1075	2000

*These lasers are external to the NovaLum module and are dichroically combined with the other selected wavelengths.

Note: There are limitations on the number of wavelengths that can included within one NovaLum package.

Outline Drawing and Electrical Connections



Necsel follows a policy of continuous product improvement and may change product descriptions and specifications at any time without notice. Necsel offers a limited product warranty to ensure customer satisfaction. Standard terms and conditions can be found on the web at <http://necsel.com/terms-conditions>. This product is solely intended to be integrated into a laser product certified by the Customer. The Customer acknowledges that their product(s) that incorporate Necsel laser products must comply with the applicable regulations before it can be sold.

