

Datasheet: Necsel™ Green NovaLum VHP Laser

These specifications are for the Necsel green NovaLum VHP package. The centroid of the wavelength spectrum will be within the indicated wavelength range.



Model #	Symbol	Min. (nm)	Typical (nm)	Max. (nm)
Green-VHP-52x	λ	520	525	528

Operating Wavelengths

Laser Parameter	Symbol	Min.	Typical	Max.	Unit
Operating Power (CW)	P_{op}	-	9	-	W
Module Operating Temperature [non-condensing atmosphere]	$T_{Thermistor}$	-	35	-	°C
Center Wavelength [at 25°C and P_{op}]	λ_m	520	525	528	nm
Wavelength Temperature Coefficient	-	-	0.1	-	nm/°C
Threshold Current	I_{th}	-	300	-	mA
Slope Efficiency	η	-	6	-	W/A
Laser Power Conversion Efficiency	PCE	-	10	-	%

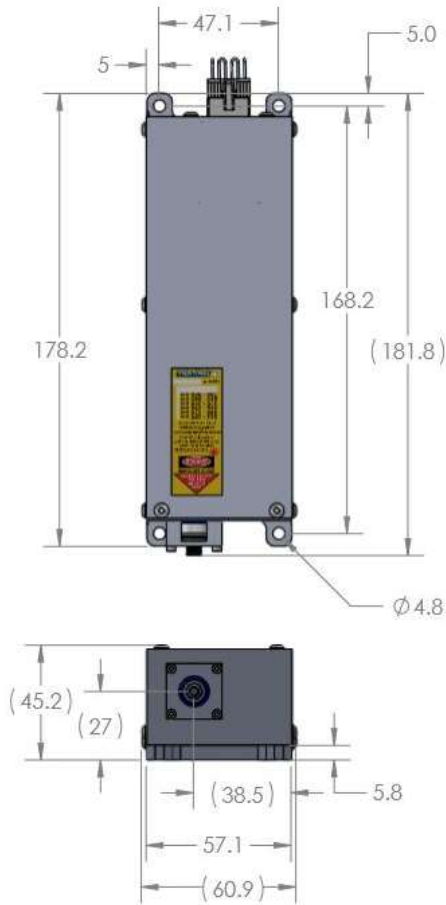
Power Supply Requirements

Operating Voltage (4 strings in series)	V_{op}	-	54	72	V
Allowable Reverse Current	I_r	-	-	85	mA
Operating Current	I_{op}	-	1.7	1.8	A

Fiber Specifications

Fiber Core Diameter (Centration $\leq 10 \mu m$)		0.400		mm
Connector Type (Nose length 0.3850 - 0.3863 in., 9.779 – 9.812 mm)		SMA-905		
Numerical Aperture		0.22		

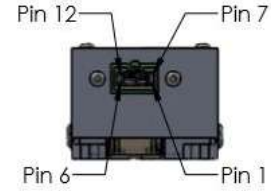
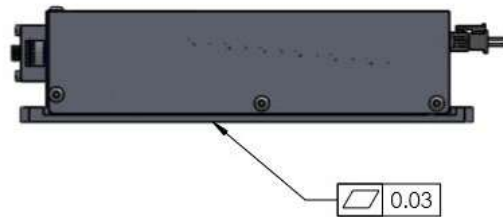
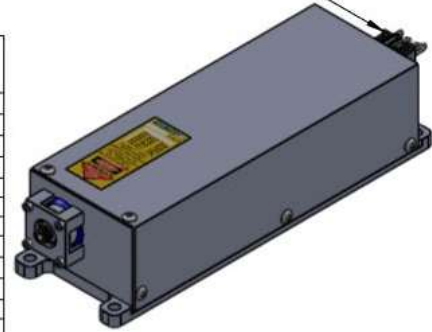
Outline Drawing and Electrical Connections



shown with shorting clip installed

header: Samtec IPL1-106-01-L-D-K
 receptacle: IPD1-06-D-K
 Pins: CC79L-2024-01-L

Pin	Function	String
1	laser -ve	right, far
2	Laser +ve	right, near
3	Laser -ve	right, near
4	Laser +ve	left, near
5	Laser -ve	left, near
6	Laser +ve	left, far
7	Laser +ve	right, far
8	thermistor	right
9	thermistor	right
10	thermistor	left
11	thermistor	left
12	Laser -ve	left, far



Necsel follows a policy of continuous product improvement and may change product descriptions and specifications at any time without notice. Necsel offers a limited product warranty to ensure customer satisfaction. Standard terms and conditions can be found on the web at <http://necsel.com/terms-conditions>. This product is solely intended to be integrated into a laser product certified by the Customer. The Customer acknowledges that their product(s) that incorporate Necsel laser products must comply with the applicable regulations before it can be sold.

