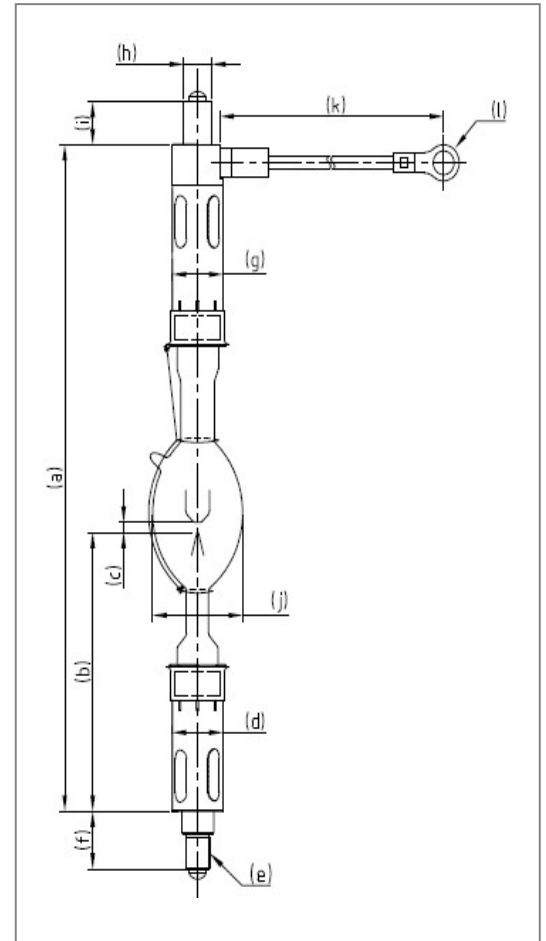




# DXL-12BAF

## Technical Data

Input Power	W	-	1200
Voltage	V	-	20
Current	A	-	60
Operating Range	W/A	-	800-1200(W)
Lamp Length	mm	a	294
LCL	mm	b	123
Cold Arc Gap	mm	c	4.5
Cathode	Base Diameter	mm (Φ)	d
	Pin Diameter	mm (Φ)	e
	Pin Length	mm	f
Anode	Base Diameter	mm (Φ)	g
	Pin Diameter	mm (Φ)	h
	Pin Length	mm	i
Bulb diameter	mm (Φ)	j	45
Cable length	mm	k	132
Crimping terminal	mm	l	14-10



## Warranty Hours

DXL-12BAF	3000 (3500*)
-----------	--------------

\*The mentioned warranty hours in the brackets is for " ignition & burst ".

## Cross Reference

Lamp Type	Projector Model
DXL-12BAF	DP2K-8S
	DP2K-10S
	DP2K-12C
	DP2K-15C
	DP2K-19B
	DP4K-19B
	DP2K-20C
	DP2K-23B
DP4K-23B	
DP2K-32B	
DP4K-32B	