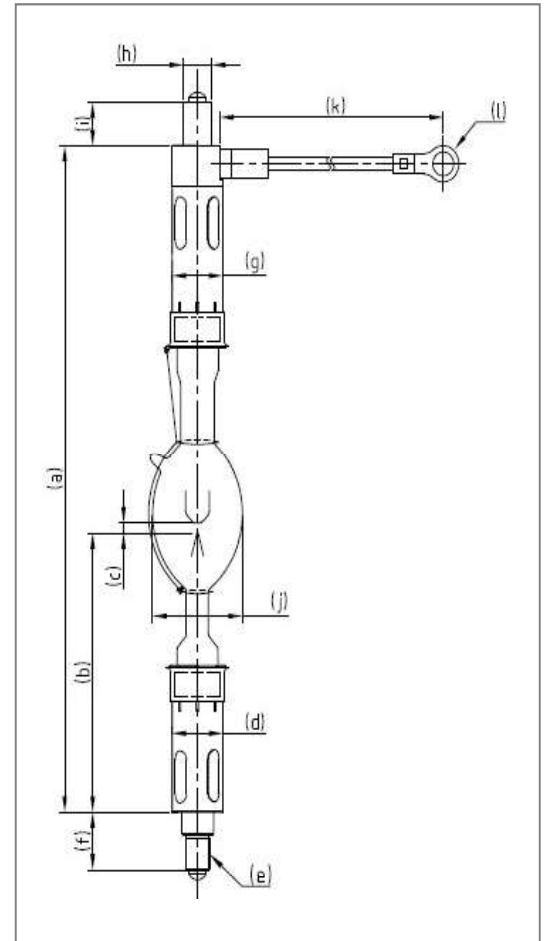




DXL-16BAF

Technical Data

Input Power	W	-	1600	
Voltage	V	-	21.5	
Current	A	-	75	
Operating Range	W/A	-	1120-1600(W)	
Lamp Length	mm	a	294	
LCL	mm	b	123	
Cold Arc Gap	mm	c	3.5	
	Base Diameter	mm (Φ)	d	27
Cathode	Pin Diameter	mm (Φ)	e	M12 × 1.75
	Pin Length	mm	f	14
Anode	Base Diameter	mm (Φ)	g	27
	Pin Diameter	mm (Φ)	h	14
	Pin Length	mm	i	19
Bulb diameter	mm (Φ)	j	42	
Cable length	mm	k	140	
Crimping terminal	mm	l	14-10	



Warranty Hours

DXL-16BAF	3000
-----------	------

Cross Reference

Lamp Type	Projector Model
-----------	-----------------

DXL-16BAF	DP2K-8S DP2K-10S
-----------	---------------------