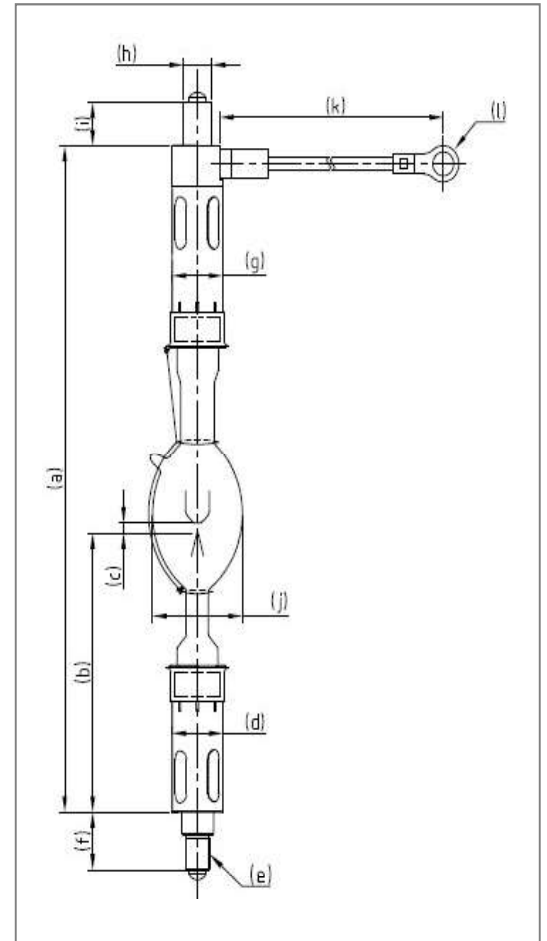




# DXL-30BA

## Technical Data

Input Power	W	-	2400
Voltage	V	-	26
Current	A	-	98
Operating Range	W/A	-	90-110(A)
Lamp Length	mm	a	347
LCL	mm	b	158.5
Cold Arc Gap	mm	c	5.5
Cathode	Base Diameter	mm (Φ)	d
	Pin Diameter	mm (Φ)	e
	Pin Length	mm	f
Anode	Base Diameter	mm (Φ)	g
	Pin Diameter	mm (Φ)	h
	Pin Length	mm	i
Bulb diameter	mm (Φ)	j	60
Cable length	mm	k	156
Crimping terminal	mm	l	22-14



## Warranty Hours

DXL-30BA	1500 (1900*)
----------	--------------

\*The mentioned warranty hours in the brackets is for " ignition & burst ".

## Cross Reference

Lamp Type	Projector Model
-----------	-----------------

DXL-30BA	DP2K-32B DP4K-32B
----------	----------------------