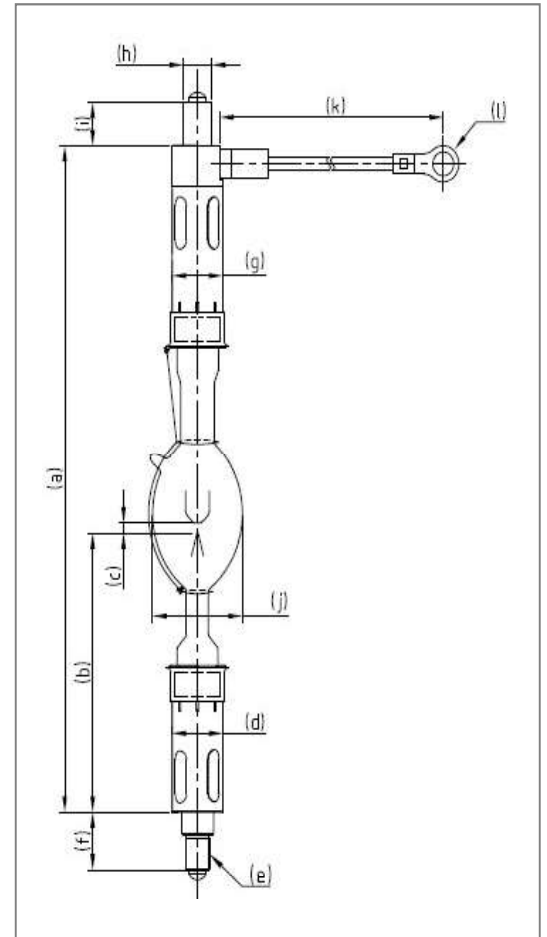




DXL-30BA/L

Technical Data

Input Power	W	-	3000
Voltage	V	-	26
Current	A	-	115
Operating Range	W/A	-	2100-3000(W)
Lamp Length	mm	a	347
LCL	mm	b	158.5
Cold Arc Gap	mm	c	5.5
Cathode	Base Diameter	mm (Φ)	d
	Pin Diameter	mm (Φ)	e
	Pin Length	mm	f
Anode	Base Diameter	mm (Φ)	g
	Pin Diameter	mm (Φ)	h
	Pin Length	mm	i
Bulb diameter	mm (Φ)	j	60
Cable length	mm	k	156
Crimping terminal	mm	l	22-14



Warranty Hours

DXL-30BA/L	1900
------------	------

Cross Reference

Lamp Type	Projector Model
-----------	-----------------

DXL-30BA/L	DP2K-32B DP4K-32B
------------	----------------------