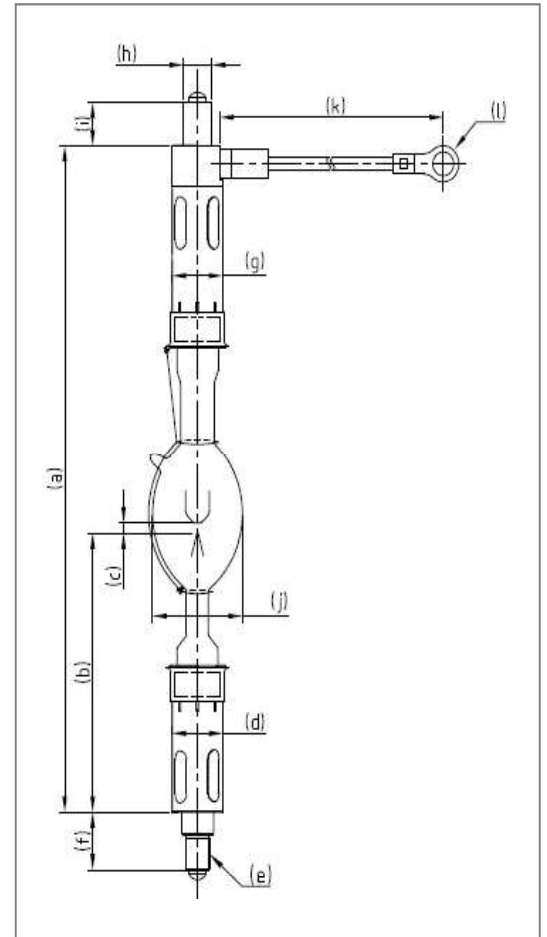




# DXL-30BAF

## Technical Data

Input Power	W	-	2800
Voltage	V	-	28
Current	A	-	100
Operating Range	W/A	-	1960-3000(W)
Lamp Length	mm	a	294
LCL	mm	b	123
Cold Arc Gap	mm	c	4.5
Cathode	Base Diameter	mm (Φ)	d
	Pin Diameter	mm (Φ)	e
	Pin Length	mm	f
Anode	Base Diameter	mm (Φ)	g
	Pin Diameter	mm (Φ)	h
	Pin Length	mm	i
Bulb diameter	mm (Φ)	j	53
Cable length	mm	k	131
Crimping terminal	mm	l	22-10



## Warranty Hours

DXL-30BAF	1500
-----------	------

## Cross Reference

Lamp Type	Projector Model
DXL-30BAF	DP2K-15C
	DP2K-19B
	DP4K-19B
	DP2K-20C
	DP2K-23B
	DP4K-23B