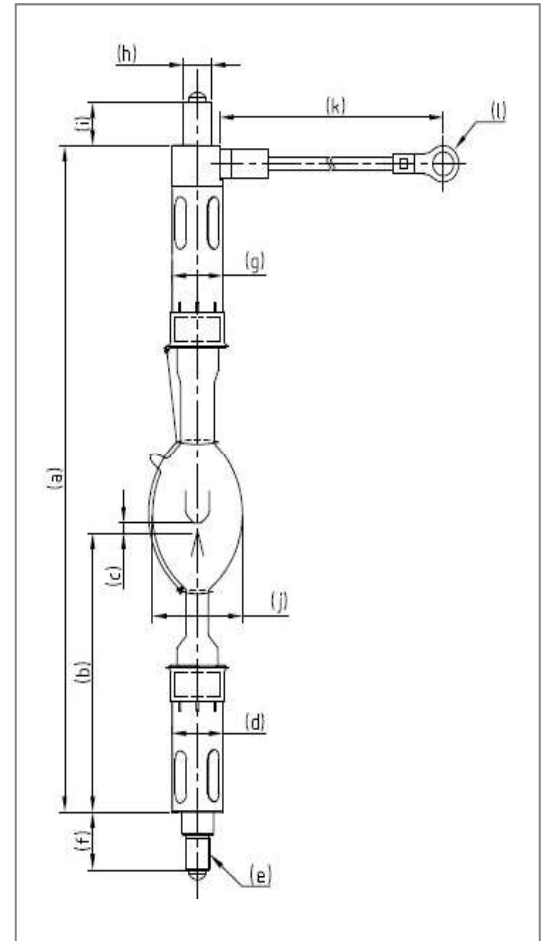




# DXL-45BA/L

## Technical Data

Input Power	W	-	4500
Voltage	V	-	31.5
Current	A	-	145
Operating Range	W/A	-	3150-4500(W)
Lamp Length	mm	a	375.5
LCL	mm	b	158.5
Cold Arc Gap	mm	c	6
Cathode	Base Diameter	mm (Φ)	d
	Pin Diameter	mm (Φ)	e
	Pin Length	mm	f
Anode	Base Diameter	mm (Φ)	g
	Pin Diameter	mm (Φ)	h
	Pin Length	mm	i
Bulb diameter	mm (Φ)	j	80
Cable length	mm	k	156
Crimping terminal	mm	l	22-14



## Warranty Hours

DXL-45BA/L	1300
------------	------

## Cross Reference

Lamp Type	Projector Model
-----------	-----------------

DXL-45BA/L	DP2K-32B DP4K-32B
------------	----------------------