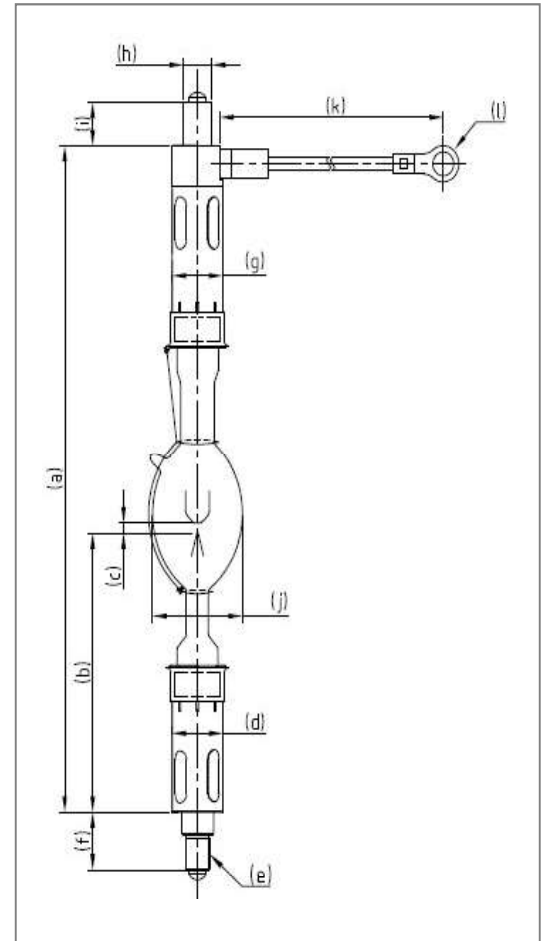




DXL-60BA2

Technical Data

Input Power	W	-	6000
Voltage	V	-	37.5
Current	A	-	160
Operating Range	W/A	-	110-170(A)
Lamp Length	mm	a	375.5
LCL	mm	b	158.5
Cold Arc Gap	mm	c	8
Cathode	Base Diameter	mm (Φ)	d
	Pin Diameter	mm (Φ)	e
	Pin Length	mm	f
Anode	Base Diameter	mm (Φ)	g
	Pin Diameter	mm (Φ)	h
	Pin Length	mm	i
Bulb diameter	mm (Φ)	j	70
Cable length	mm	k	156
Crimping terminal	mm	l	22-14



Warranty Hours

DXL-60BA2	600 (800*)
-----------	------------

*The mentioned warranty hours in the brackets is for " ignition & burst ".

Cross Reference

Lamp Type	Projector Model
-----------	-----------------

DXL-60BA2	DP2K-32B DP4K-32B
-----------	----------------------