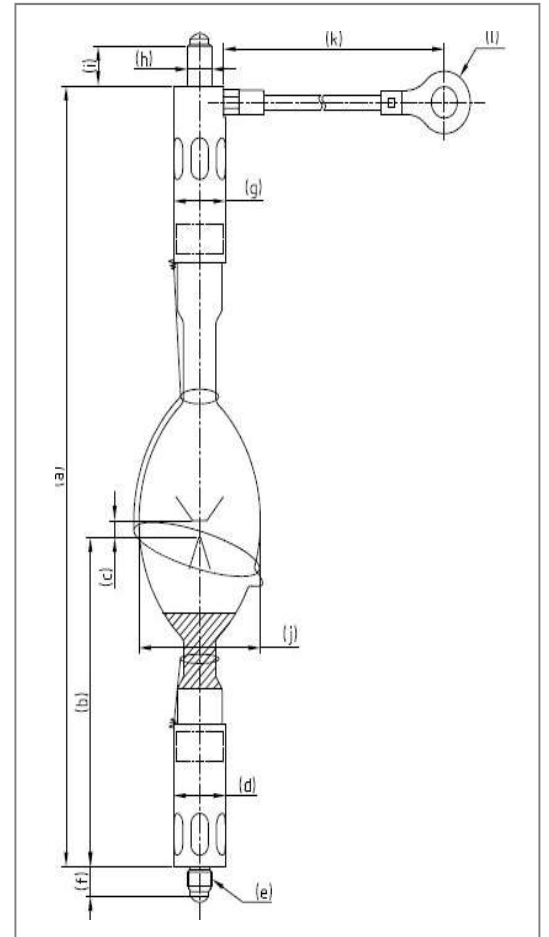




DXL-70BA

Technical Data

Input Power	W	-	7000
Voltage	V	-	40
Current	A	-	175
Operating Range	W/A	-	4900-7000(W)
Lamp Length	mm	a	375.5
LCL	mm	b	158.5
Cold Arc Gap	mm	c	7.4
Cathode	Base Diameter	mm (Φ)	d
	Pin Diameter	mm (Φ)	e
	Pin Length	mm	f
Anode	Base Diameter	mm (Φ)	g
	Pin Diameter	mm (Φ)	h
	Pin Length	mm	i
Bulb diameter	mm (Φ)	j	80
Cable length	mm	k	156
Crimping terminal	mm	l	22-14



Warranty Hours

DXL-70BA	300
----------	-----

Cross Reference

Lamp Type	Projector Model
-----------	-----------------

DXL-70BA	DP2K-32B DP4K-32B
----------	----------------------