

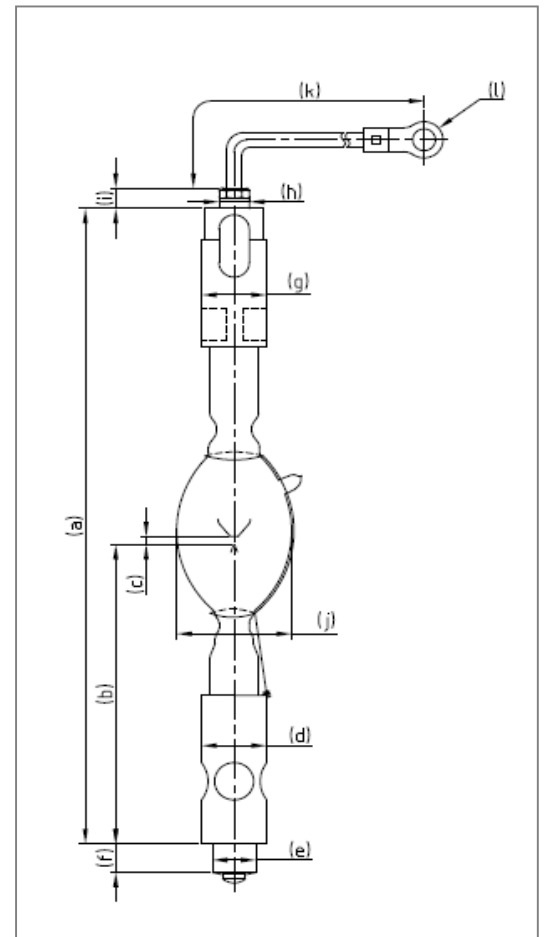


Xenon Lamps for Sharp NEC Display Solutions Digital Cinema Projector

DXL-15SN

Technical Data

Input Power	W	-	1500	
Voltage	V	-	22	
Current	A	-	68	
Lamp Length	mm	a	306	
LCL	mm	b	144	
Cold Arc Gap	mm	c	3.5	
Cathode	Base Diameter	mm (Φ)	d	27
	Pin Diameter	mm (Φ)	e	20
	Pin Length	mm	f	19
Anode	Base Diameter	mm (Φ)	g	27
	Pin Diameter	mm (Φ)	h	14
	Pin Length	mm	i	13
Bulb diameter	mm (Φ)	j	42	
Cable length	mm	k	(160)	
Crimping terminal	mm	l	22-10	



Warranty Hours

DXL-15SN	3000
----------	------

Cross Reference

Lamp Type	Projector Model
DXL-15SN	NC1200C NC2000C