

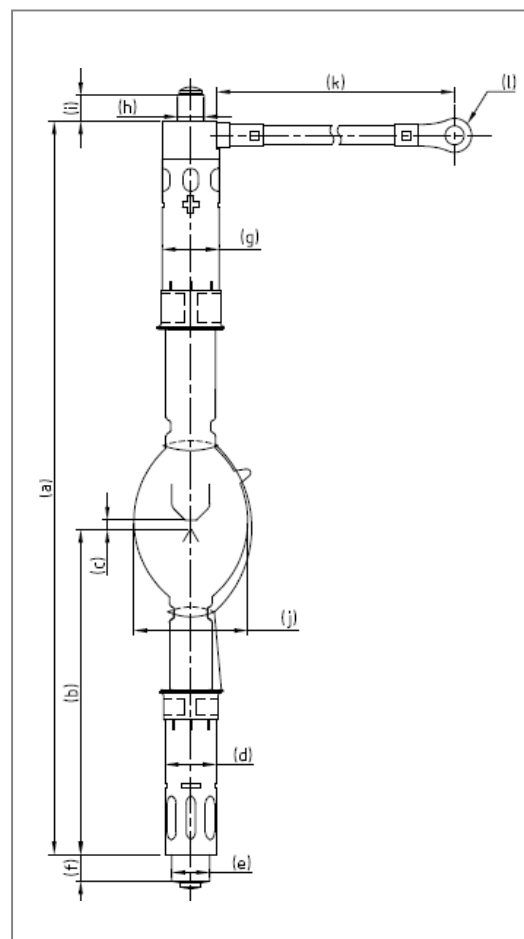


Xenon Lamps for Sharp NEC Display Solutions Digital Cinema Projector

DXL-31SN2/L

Technical Data

Input Power	W	-	3000
Voltage	V	-	30.5
Current	A	-	98
Lamp Length	mm	a	306
LCL	mm	b	144
Cold Arc Gap	mm	c	5.4
Cathode	Base Diameter	mm (Φ)	d
	Pin Diameter	mm (Φ)	e
	Pin Length	mm	f
Anode	Base Diameter	mm (Φ)	g
	Pin Diameter	mm (Φ)	h
	Pin Length	mm	i
Bulb diameter	mm (Φ)	j	60
Cable length	mm	k	220
Crimping terminal	mm	l	22-10



Warranty Hours

DXL-31SN2/L

1800

Cross Reference

Lamp Type

Projector Model

DXL-31SN2/L

NC2500S
NC3200S
NC3240S