

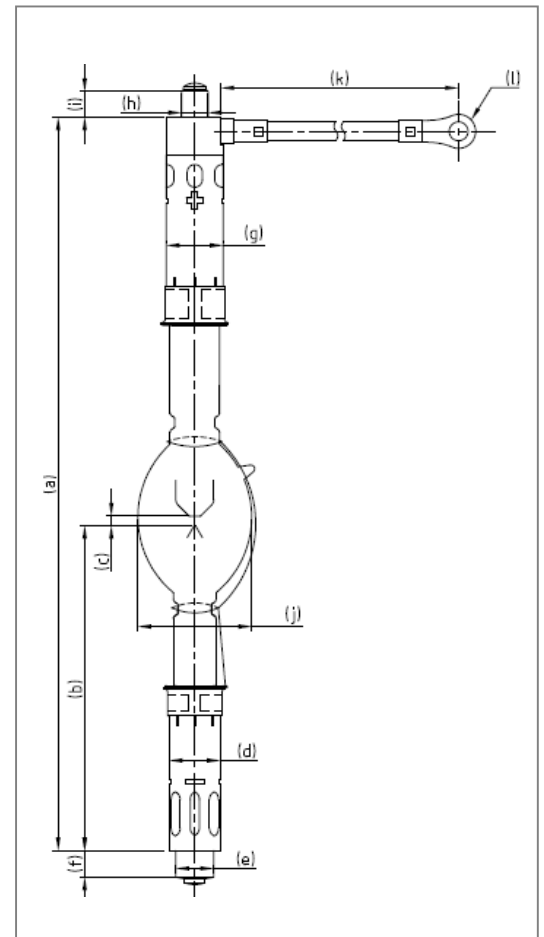


Xenon Lamps for Sharp NEC Display Solutions Digital Cinema Projector

DXL-45SN/L

Technical Data

Input Power	W	-	4500
Voltage	V	-	31.5
Current	A	-	145
Lamp Length	mm	a	387
LCL	mm	b	171.5
Cold Arc Gap	mm	c	6
Cathode	Base Diameter	mm (Φ)	d
	Pin Diameter	mm (Φ)	e
	Pin Length	mm	f
Anode	Base Diameter	mm (Φ)	g
	Pin Diameter	mm (Φ)	h
	Pin Length	mm	i
Bulb diameter	mm (Φ)	j	80
Cable length	mm	k	220
Crimping terminal	mm	l	22-10



Warranty Hours

DXL-45SN/L	1500
------------	------

Cross Reference

Lamp Type	Projector Model
DXL-45SN/L	NC2500S(*) NC3200S(*) NC3240S(*)

*Combination of 7kw lamp power supply unit