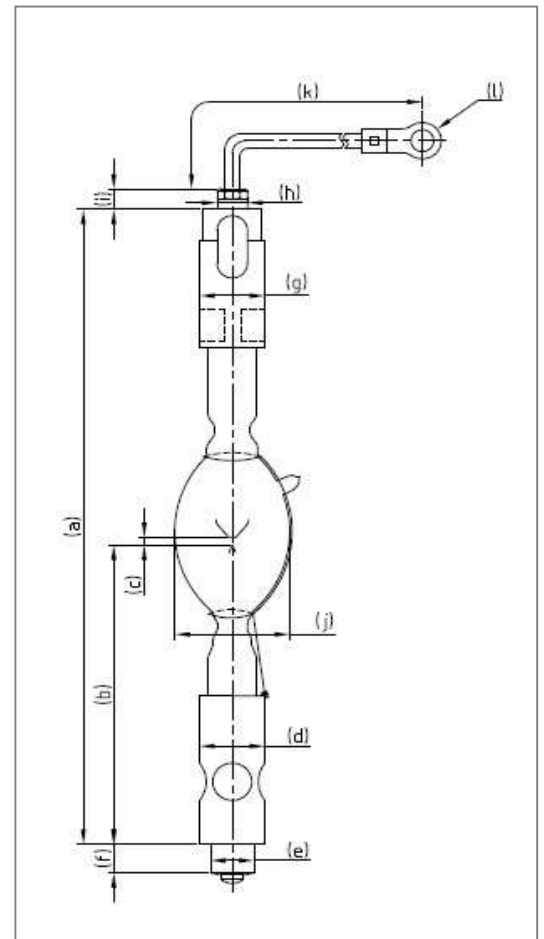




DXL-20SN3

Technical Data

Input Power	W	-	2000
Voltage	V	-	26
Current	A	-	75
Lamp Length	mm	a	306
LCL	mm	b	144
Cold Arc Gap	mm	c	4
Cathode	Base Diameter	mm (Φ)	d
	Pin Diameter	mm (Φ)	e
	Pin Length	mm	f
Anode	Base Diameter	mm (Φ)	g
	Pin Diameter	mm (Φ)	h
	Pin Length	mm	i
Bulb diameter	mm (Φ)	j	53
Cable length	mm	k	160
Crimping terminal	mm	l	22-10



Warranty Hours

DXL-20SN3

2400

Cross Reference

Lamp Type

Projector Model

DXL-20SN3

NC1200C
NC1600C
NC2000C