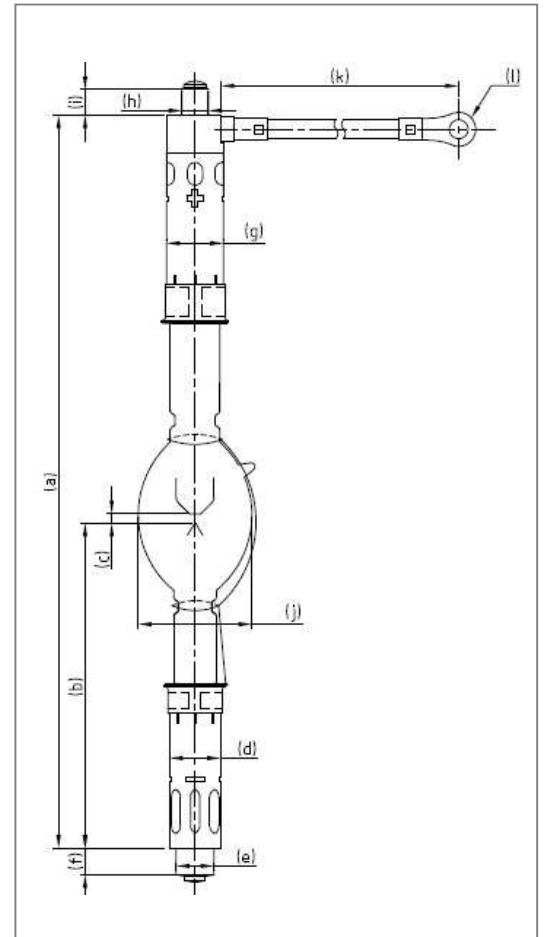




DXL-30SN2

Technical Data

| | | | |
|-------------------|---------------|--------|-------|
| Input Power | W | - | 3000 |
| Voltage | V | - | 28.5 |
| Current | A | - | 105 |
| Lamp Length | mm | a | 306 |
| LCL | mm | b | 144 |
| Cold Arc Gap | mm | c | 5.4 |
| Cathode | Base Diameter | mm (Φ) | d |
| | Pin Diameter | mm (Φ) | e |
| | Pin Length | mm | f |
| Anode | Base Diameter | mm (Φ) | g |
| | Pin Diameter | mm (Φ) | h |
| | Pin Length | mm | i |
| Bulb diameter | mm (Φ) | j | 60 |
| Cable length | mm | k | (160) |
| Crimping terminal | mm | l | 22-10 |



Warranty Hours

| | |
|-----------|------|
| DXL-30SN2 | 1200 |
|-----------|------|

Cross Reference

| Lamp Type | Projector Model |
|-----------|--------------------|
| DXL-30SN2 | NC1600C NC2000C |