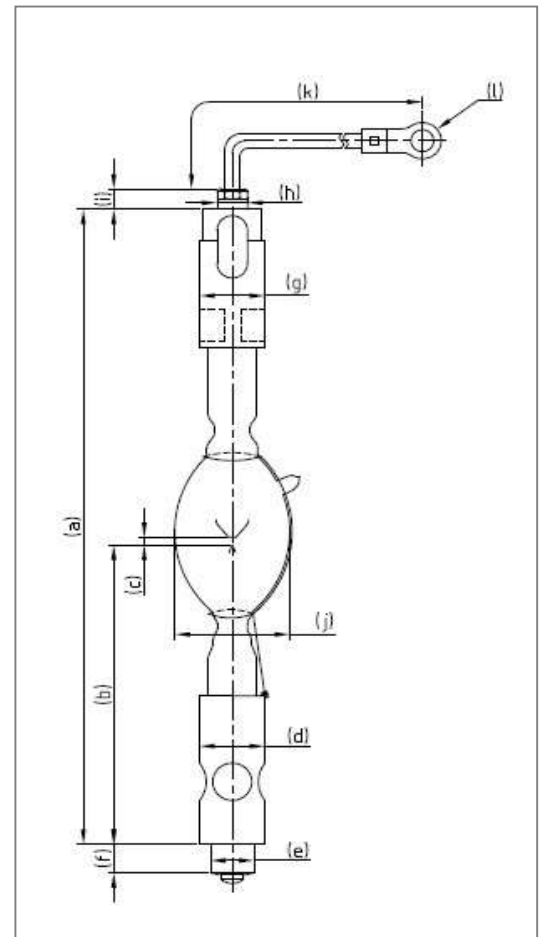




# DXL-30SN2/L

## Technical Data

Input Power	W	-	3000
Voltage	V	-	30.5
Current	A	-	98
Lamp Length	mm	a	306
LCL	mm	b	144
Cold Arc Gap	mm	c	5.4
Cathode	Base Diameter	mm (Φ)	d
	Pin Diameter	mm (Φ)	e
	Pin Length	mm	f
Anode	Base Diameter	mm (Φ)	g
	Pin Diameter	mm (Φ)	h
	Pin Length	mm	i
Bulb diameter	mm (Φ)	j	60
Cable length	mm	k	160
Crimping terminal	mm	l	22-10



## Warranty Hours

DXL-30SN2/L	1800
-------------	------

## Cross Reference

Lamp Type	Projector Model
DXL-30SN2/L	NC1600C NC2000C