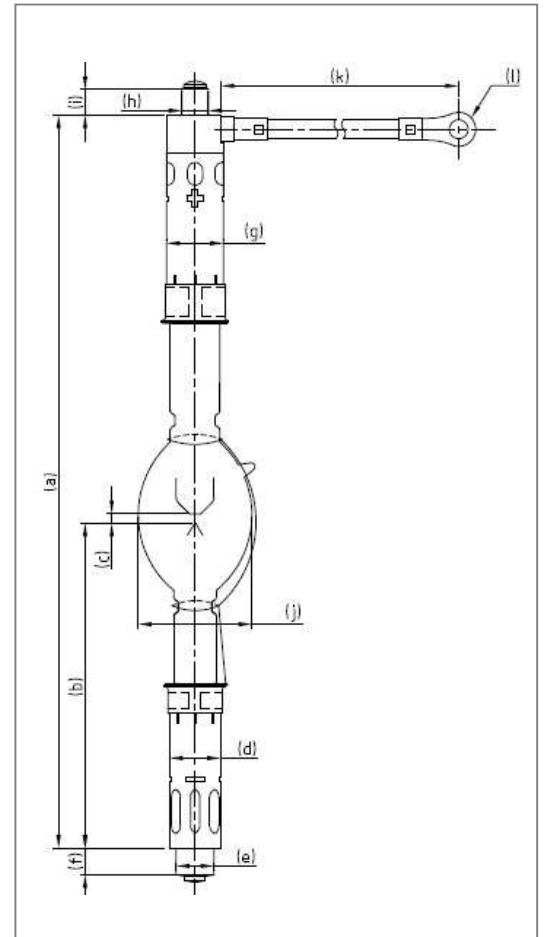




DXL-41SN/L

Technical Data

| | | | |
|-------------------|---------------|--------|-------|
| Input Power | W | - | 4000 |
| Voltage | V | - | 33 |
| Current | A | - | 120 |
| Lamp Length | mm | a | 306 |
| LCL | mm | b | 144 |
| Cold Arc Gap | mm | c | 5.3 |
| Cathode | Base Diameter | mm (Φ) | d |
| | Pin Diameter | mm (Φ) | e |
| | Pin Length | mm | f |
| Anode | Base Diameter | mm (Φ) | g |
| | Pin Diameter | mm (Φ) | h |
| | Pin Length | mm | i |
| Bulb diameter | mm (Φ) | j | 60 |
| Cable length | mm | k | 220 |
| Crimping terminal | mm | l | 22-10 |



Warranty Hours

| | |
|------------|-----|
| DXL-41SN/L | 850 |
|------------|-----|

Cross Reference

| Lamp Type | Projector Model |
|------------|-------------------------------|
| DXL-41SN/L | NC2500S NC3200S NC3240S |