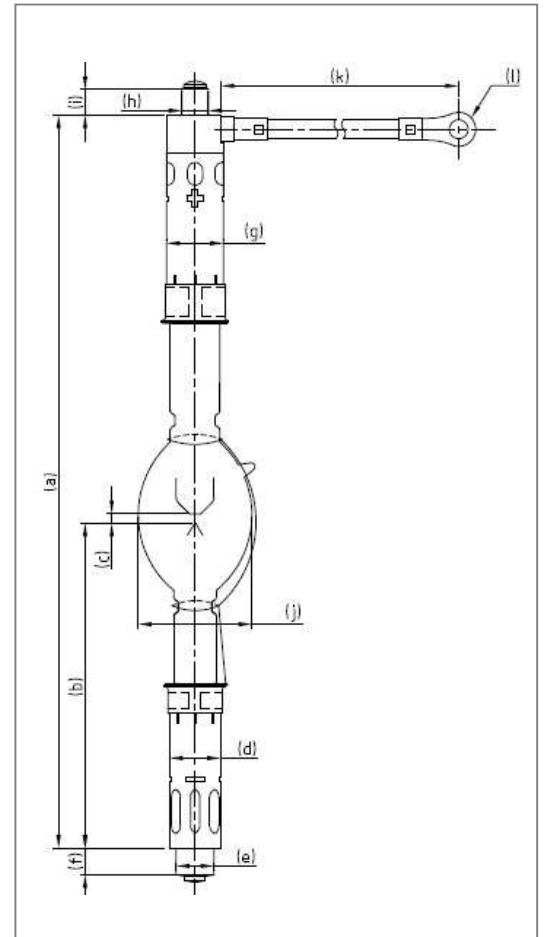




DXL-45SN/L

Technical Data

| | | | |
|-------------------|---------------|--------|-------|
| Input Power | W | - | 4500 |
| Voltage | V | - | 31.5 |
| Current | A | - | 145 |
| Lamp Length | mm | a | 387 |
| LCL | mm | b | 171.5 |
| Cold Arc Gap | mm | c | 6 |
| Cathode | Base Diameter | mm (Φ) | d |
| | Pin Diameter | mm (Φ) | e |
| | Pin Length | mm | f |
| Anode | Base Diameter | mm (Φ) | g |
| | Pin Diameter | mm (Φ) | h |
| | Pin Length | mm | i |
| Bulb diameter | mm (Φ) | j | 80 |
| Cable length | mm | k | 220 |
| Crimping terminal | mm | l | 22-10 |



Warranty Hours

| | |
|------------|------|
| DXL-45SN/L | 1200 |
|------------|------|

Cross Reference

| Lamp Type | Projector Model |
|-----------|-----------------|
|-----------|-----------------|

| | |
|------------|------------|
| DXL-45SN/L | NC2500S(*) |
| | NC3200S(*) |
| | NC3240S(*) |

*Combination of 7kw lamp power supply unit