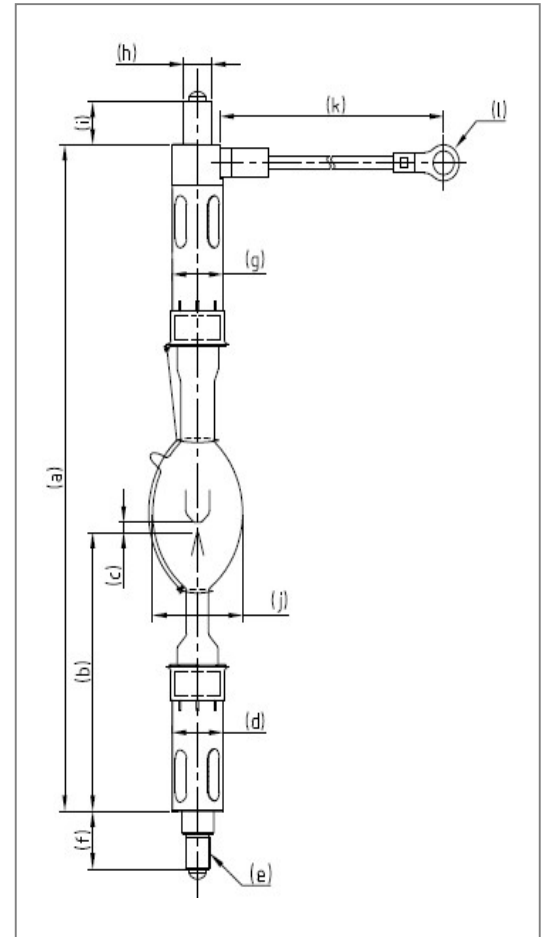




DXL-20BAF/LU

Technical Data

Input Power	W	-	2000
Voltage	V	-	25
Current	A	-	80
Operating Range	W/A	-	1400-2000(W)
Lamp Length	mm	a	294
LCL	mm	b	123
Cold Arc Gap	mm	c	4.5
Cathode	Base Diameter	mm (Φ)	d
	Pin Diameter	mm (Φ)	e
	Pin Length	mm	f
Anode	Base Diameter	mm (Φ)	g
	Pin Diameter	mm (Φ)	h
	Pin Length	mm	i
Bulb diameter	mm (Φ)	j	55
Cable length	mm	k	131
Crimping terminal	mm	l	22-10



Warranty Hours

DXL-20BAF/LU	3700
--------------	------

Cross Reference

Lamp Type	Projector Model
DXL-20BAF/LU	DP2K-8S
	DP2K-10S
	DP2K-12C
	DP2K-15C
	DP2K-19B
	DP4K-19B
	DP2K-20C
	DP2K-23B
DP4K-23B	
DP2K-32B	
DP4K-32B	