

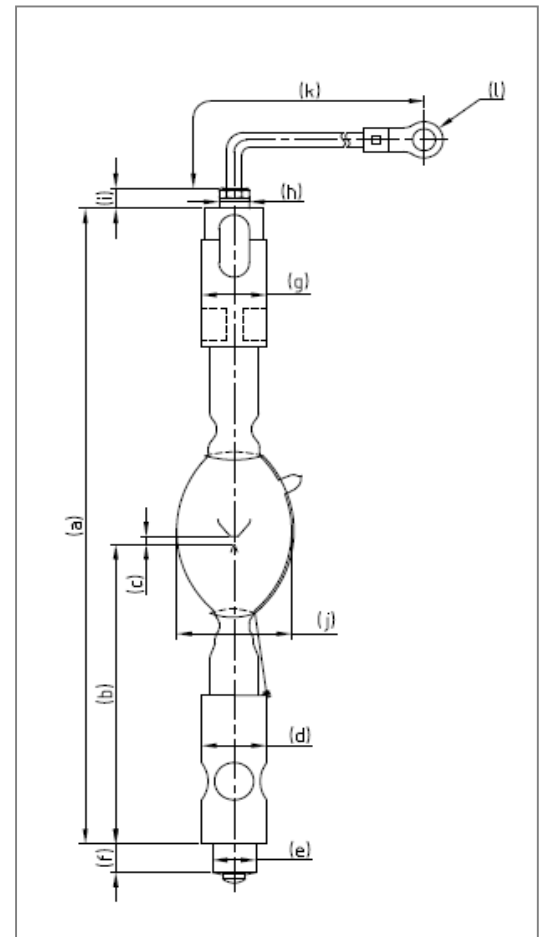


Xenon Lamps for Sharp NEC Display Solutions Digital Cinema Projector

DXL-20SN/L

Technical Data

Input Power	W	-	2000	
Voltage	V	-	26	
Current	A	-	75	
Lamp Length	mm	a	306	
LCL	mm	b	144	
Cold Arc Gap	mm	c	4	
Cathode	Base Diameter	mm (Φ)	d	30
	Pin Diameter	mm (Φ)	e	20
	Pin Length	mm	f	14
Anode	Base Diameter	mm (Φ)	g	30
	Pin Diameter	mm (Φ)	h	14
	Pin Length	mm	i	10
Bulb diameter	mm (Φ)	j	53	
Cable length	mm	k	160	
Crimping terminal	mm	l	22-10	



Warranty Hours

DXL-20SN/L	3300
------------	------

Cross Reference

Lamp Type	Projector Model
DXL-20SN/L	NC1200C NC1600C NC2000C