

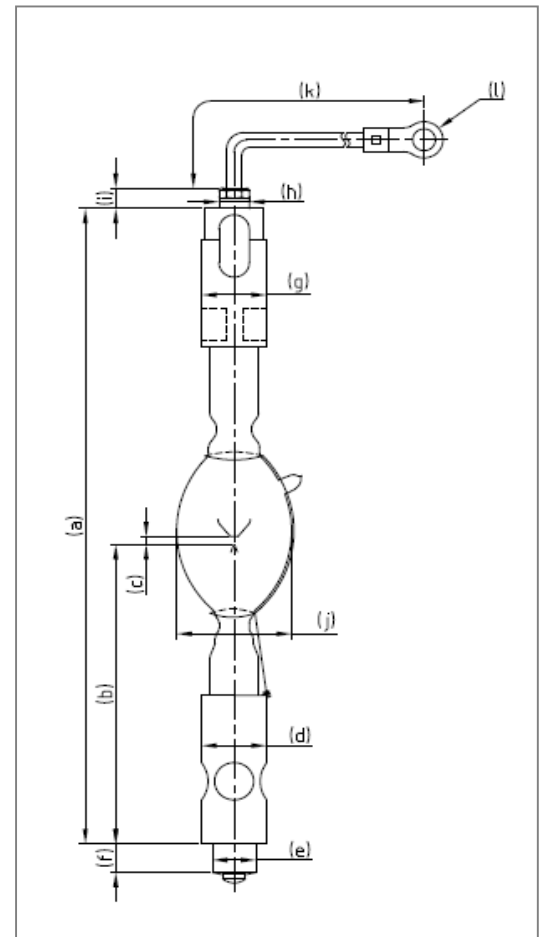


Xenon Lamps for Sharp NEC Display Solutions Digital Cinema Projector

DXL-40SCN

Technical Data

Input Power	W	-	4000	
Voltage	V	-	29	
Current	A	-	135	
Lamp Length	mm	a	302	
LCL	mm	b	144	
Cold Arc Gap	mm	c	7	
Cathode	Base Diameter	mm (Φ)	d	27
	Pin Diameter	mm (Φ)	e	20
	Pin Length	mm	f	15
Anode	Base Diameter	mm (Φ)	g	27
	Pin Diameter	mm (Φ)	h	14
	Pin Length	mm	i	13
Bulb diameter	mm (Φ)	j	70	
Cable length	mm	k	160	
Crimping terminal	mm	l	22-10	



Warranty Hours

DXL-40SCN	1500
-----------	------

Cross Reference

Lamp Type	Projector Model
-----------	-----------------

DXL-40SCN	NC1600C NC2000C
-----------	--------------------